

Geoprobe[®] SRC30DT Sonic Rod Carrier

Virtually Hands-Free Sonic Drilling

Simplify sonic drilling using self-propelled sonic rod carrier with dual quick-attach 10-foot rod magazines. Independent rod magazines are easily swapped out in the field using a standard forklift, saving drillers time on deeper holes.

Rod Rack

Secure and transport a large quantity of rods in one go

Control Panel

Joystick allows for carriage operation and adjustments to be easier and quicker.

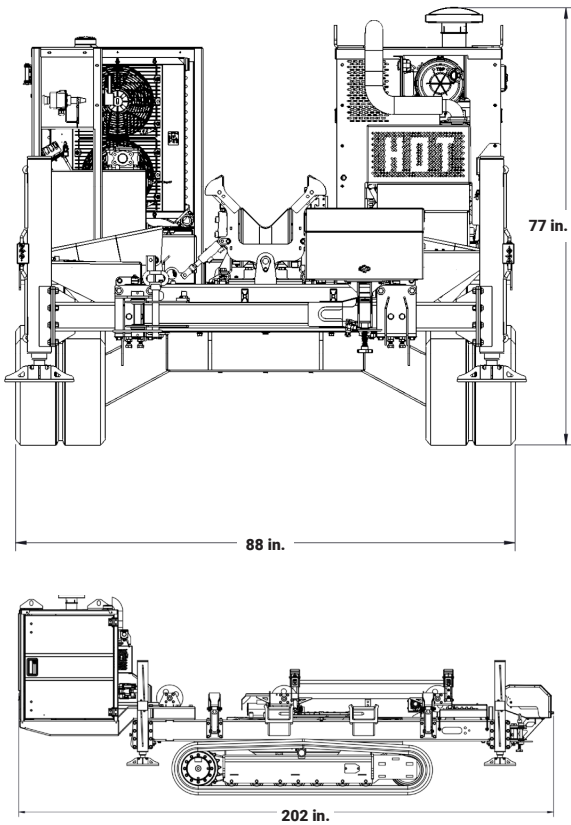
Outriggers

26-inch outriggers allow for +/- 7 inches of side shift for ease of lining up machines.



WEIGHT & DIMENSIONS

Base Unit Weight: 8,900 lb. (4,037 kg)
With Typical Options: 33,500 lb. (15,195 kg)



OPTIONS

Rod Magazines

- 3.5 x 30 Rods
- 4.5 x 25 Rods
- 6 x 20 Rods
- Rod Handler End Roller Assembly
 - Recommended but not required



Carriage comes with reversible live rollers, simplifying the loading and unloading process.



The easy-to-operate control panel allows easy onboarding for new and seasoned drillers alike.



Save time with the independent quick-attach, 10-foot rod magazines removed using forklift.



Videos, Photos, Specifications, Resources

geoprobe.com/src30dt

