

Geoprobe® 3145GT Geotech Drill Rig

Efficiency and Performance to Punch Out Power and Pipe Line Projects

Quickly traverse long stretches of tough terrain encountered on pipe line, power line, or wind farm projects in the NEW 3145GT geotechnical drill rig, combining the efficiency and simplicity of 31 series drill mast with speed and comfort of crawler carrier.

▶ VIDEOS AVAILABLE AT GEOPROBE.COM/3145GT WHEN YOU SEE THIS SYMBOL

▶ Geotech Head Options

(All functions are available along the head side shift)

- 4-speed rotary head (4,000 ft-lb, 750 rpm) (standard option)
- 6-speed rotary head (7,000 ft-lb, 720 rpm) (high torque - optional)
- GH63 percussion hammer
- CPT push / pull assembly
- DH104 automatic drop hammer (Hands-Free)
- Rod grip pull system

▶ Telescoping Winch Mast

- Primary winch
 - 6,800 lbf.
- Secondary winch options
 - 2,500 lbf.
 - 1,800 lbf. (quick change hook)
 - 1,100 lbf. (quick change hook)
- Third winch - optional
 - 1,100 lbf. (quick change hook, wireline)
- Taller standard winch
 - pull 20-foot tooling string with attached split spoon above the breakout

▶ Drill Mast

- 105 in. of head feed travel
- 36,000 lb. of push force
- 48,000 lb. of pull force
- Extend, swing, mast dump, oscillation, and fold
- CPT feed rate and hydraulic limit functions are standard
- Mast dump provides 45 in. of vertical travel to allow room for a mud pan
- Pivoting winch mast option lowers transport height 15 inches
- Standard coring controls

28 in. of Head Side Shift

Swing Out 7-in. Breakout

Moyno® 3L8 Pump Kit

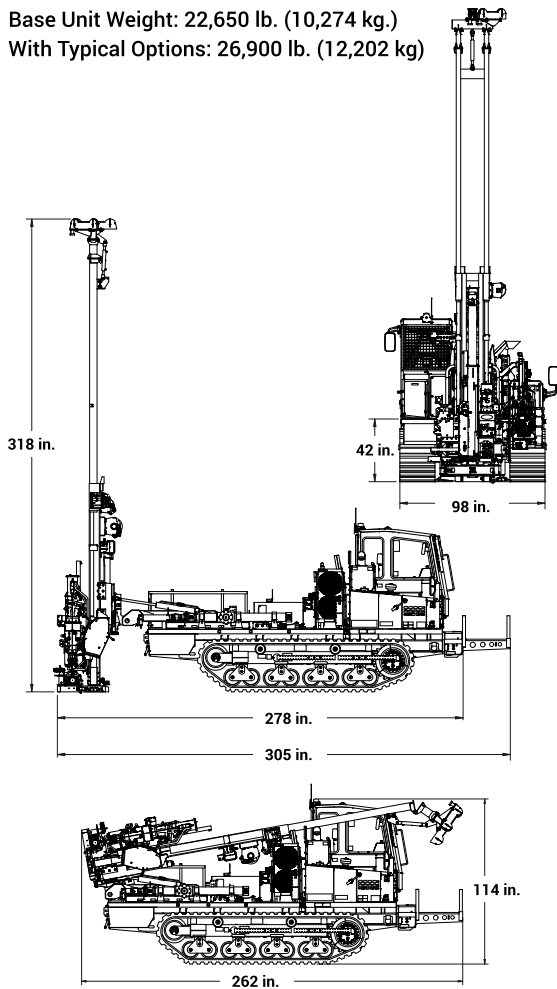
▶ Control Panel

- Manual controls provide tactile feel
- Electric controls add SAFE, HANDS-FREE operation



WEIGHT & DIMENSIONS

Base Unit Weight: 22,650 lb. (10,274 kg.)
With Typical Options: 26,900 lb. (12,202 kg)



TOOLING

Typical Geoprobe® Tooling for the 3145GT

- Geotechnical Tooling
 - SPT Sampling (Interlocking Split Spoon Sampler, Driven Casing SPT, HSA, Solid Auger, Mud Rotary)
 - Cone Penetration Testing (CPT)
- Direct Push
 - 60-in. Direct Push Tooling
 - Probe Rod Sizes: 3.75 in., 3.25 in., 2.25 in., 1.5 in., 1.25 in.*
 - Macro Core® Soil Sampling (MC5, MC7)
 - Dual Tube Soil Sampling (DT37, DT325, DT22)
 - Groundwater Sampling (SP22, SP16)
 - Prepacked Monitoring Well Installations (2.0 in., 1.5 in., 1.0 in., 0.75-in.)
 - Direct Image® Tooling
- HSA System (3.25 in, 4.25 in. and 6.25 in.)

* Center Rod Use Only
Rig shown with optional features. Weights & dimensions subject to change without notice.



OPTIONS

Head Options

- Geotech Head Assembly (4-Speed Rotary Head)
 - 4,000 ft-lbf
 - 750 rpm
- Geotech Head Assembly (6-Speed Rotary Head)
 - 6,800 ft-lbf
 - 720 rpm
- GH63 Percussion Hammer

Automatic Drop Hammer

- Automatic Drop Hammer, 140 lb.
 - Expansion Kit
 - 340 lb.
 - 300 lb.
 - 170 lb.
- Weight, 65 kg

Mast / Winch

- Primary Winch
 - 6,800 lbf
- Secondary Winch (Options)
 - 2,500 lbf.
 - 1,800 lbf. (quick change hook)
 - 1,100 lbf. (quick change hook)
- Third Winch (Optional)
 - 1,100 lbf (quick change hook, wireline)
- Telescoping Pivoting Dual Winch Mast
- Telescoping Pivoting Triple Winch Mast
- Drill Mast Outrigger Kit

Breakout

- 7 in. Breakout
- Coring Upgrade Kit for 7 in. Breakout
- Breakout Storage Rack

Rotational Safety Cage

- Safety Cage

Water Swivels

- High Speed Water Swivel with Float
- Float Sub NWJ Pin Assembly
- Float Sub NWL Pin Assembly
- Float Sub HWL Pin Assembly
- Water Swivel Assembly

Control System

- Head Feed Pressure Control Kit
- Control Panel Display Screen Heater Kit

Water / Mud Pumps

- Moyno® 3L6 Pump Kit
- Moyno® 3L8 Pump Kit
- Water Carrier Kit, 50 gal. with Pump

Hydraulic Extruder

- Hydraulic Extruder Kit
- 3 in. Shelby Tube Cradle

Toolboxes / Rod Racks

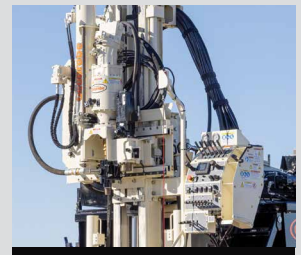
- Fixed Tool Carrier Assembly
- 60 in. Toolbox
- 5 ft. Tool Rack Assembly
- Rear Storage Box
- 10 ft. Tool Rack Assembly - Side Mount
- 5 ft. / 10 ft. Tool Rack Assembly - Side Mount
- Split Spoon Table Weldment

Mud Pans

- Aluminum 100 gal Mud Pan

Additional Options

- CPT Accessory Package
- Yoke Vise & Mounting Bracket Kit, Horizontal
- Drill Mast Light Kit
- Rod Grip Pull Latch



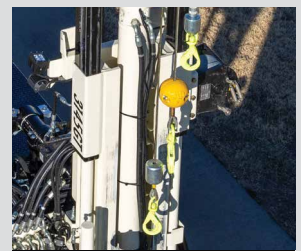
Geotech Head Assembly & Automatic Drop Hammer



Pivoting Winch Mast



60 in. Toolbox



Triple Winches



Moyno® Pump

