

Geoprobe® 3126GT Geotech Rig

Geotech Rigs | 3126GT

Simplify Geotechnical Techniques with Centerline Head Side Shift

Position for increased productivity and profit by swiftly sliding from rotary to automatic drop hammer even to CPT or direct push without moving the telescoping drill mast or compact, stealthy rig. Engineered for efficiency with six functions along one centerline.

▶ Geotech Head Options

(All functions are available along the head side shift)

- 4-Speed Rotary Head (4,000 ft-lb, 750 rpm)
- GH63 Percussion Hammer
- CPT Push / Pull Assembly
- DH104 Automatic Drop Hammer (Hands-Free)
- Rod Grip Pull System

▶ 28 in. of Head Side Shift

Swing Out 7-in. Breakout

Telescoping Winch Mast

- Allows tripping out of 20-ft. lengths of rod when combined with 3-ft. extension
- 6,800-lbf. Primary Winch
- 1,800-lbf. Secondary Winch with Quick Change Hook
- Additional 2,500-lb. and 1,100-lb. Winch Options

Drill Mast

- 105 in. of Head Feed Travel
- 36,000 lb. of Push Force
- 48,000 lb. of Pull Force
- Extend, Swing, Mast Dump, Oscillation, and Fold
- CPT feed rate and hydraulic limit functions are standard
- Mast dump provides 36.5 in. of vertical travel to allow room for a mud pan

Moyno® 3L6 Pump Kit

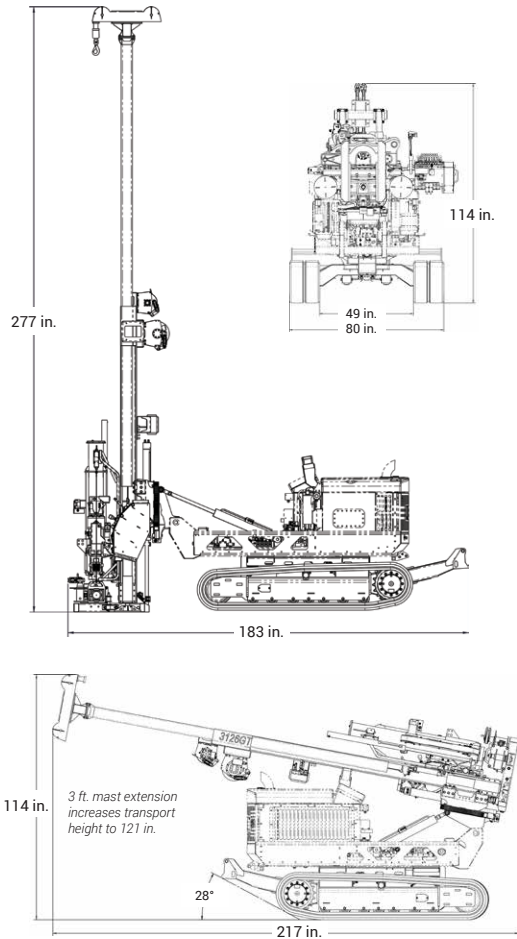
▶ Control Panel

- Manual controls provide tactile feel
- Electric controls add SAFE, HANDS-FREE operation



Weight & Dimensions

Unit Weight (w/ typical options) 12,600 lb. (5,715 kg.)



View full specifications online at
geoprobe.com/3126gt

Tooling

Typical Geoprobe® Tooling for the 3126GT

- HSA System (4.25-in. and 6.25-in.)
- SPT Sampling (Interlocking Split Spoon Sampler, Dual Tube with AWJ Center Rods, 3.25 HSA, 4.5-in. Solid Auger, Mud Rotary)
- Cone Penetration Testing (CPT)
- Direct Push
 - 60-in. Direct Push Tooling
 - Probe Rod Sizes: 3.75-in., 3.25-in., 2.25-in., 1.5-in., 1.25-in.*
 - Macro Core® Soil Sampling (MC5, MC7)
 - Dual Tube Soil Sampling (DT37, DT325, DT22)
 - Groundwater Sampling (SP22, SP16)
 - Prepacked Monitoring Well Installations (2.0-in., 1.5-in., 1.0-in., 0.75-in.)
 - Direct Image® Tooling

* Center Rod Use Only

Rig shown with optional features. Weights & dimensions subject to change without notice.

3126GT Options

Geotech Head Options

- 235114 Geotech Head Assembly, Head Side Shift (28 in.)
 4 Speed Rotary Head (4,000 ft-lbf, 750 rpm),
 Automatic Drop Hammer, 140 lb.,
 GA4000 U-Joint Assembly with Hex Adaptors,

Percussion Hammer

- 235603 Direct Push Hammer Assembly

Automatic Drop Hammer Options

- 216826 Automatic Drop Hammer 340-lb. Expansion Kit
 217067 Automatic Drop Hammer 300-lb. Expansion Kit
 221820 Automatic Drop Hammer 170-lb. Expansion Kit
 210126 Weight, 65 kg

Water Swivels

- 231052 High Speed Water Swivel with Float
 210873 Float Sub NWJ Pin Assembly
 210874 Float Sub NWL Pin Assembly
 213482 Float Sub HWL Pin Assembly
 235511 Water Swivel Assembly

Mast / Winch

- 235713 Winch Kit: 6,800 lbf
 235714 Winch Kit: 2,500 lbf with Quick Change Hook
 235715 Winch Kit: 1,800 lbf with Quick Change Hook
 235716 Winch Kit: 1,100 lbf with Quick Change Hook
 231584 3-ft. Mast Extension
 229263 Telescoping Dual Winch Mast
 229264 Drill Mast Outrigger Kit

Breakout

- 230981 7-in. Breakout Kit
 217024 Coring Upgrade Kit for 7 in. Breakout

Control System

- 400260 Head Feed Pressure Control Kit
 207870 Control Panel Display Screen Heater Kit

Rotational Safety Cage

- 234695 Safety Cage Kit

Water / Mud Pumps

- 235384 Moyno® 3L6 Pump Kit w/Table - Operator Side

Hydraulic Extruder

- 235400 Hydraulic Extruder Kit
 221929 Shelby Tube Cradle

Toolboxes / Rod Racks

- 235360 5-ft. Rod Rack
 234971 Double Toolbox, 32-in. Front Open, Black
 234535 Spoon and Tube Holder
 212954 53 in. Toolbox
 230350 Storage Rack Weldment

Mud Pans

- 217038 Aluminum 100 gal Mud Pan
 234972 Aluminum 95 gal Mud Pan

