

10

Grouting & Injection

geoprobe.com/grouting-injection



Pressure Activated Injection Probes

Grouting isn't glamorous, so we've tried to make it as painless as possible.

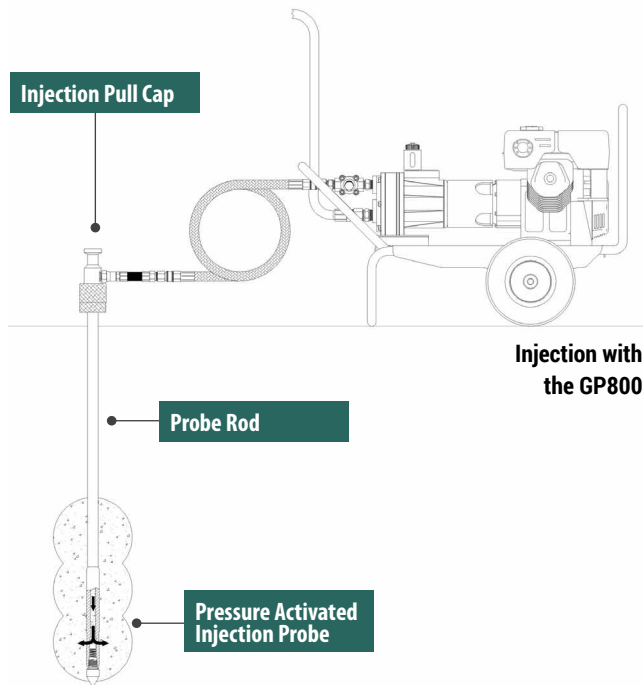
GP300 and GP350 are designed primarily for injection of high viscosity hydrogen release compound (HRC). These grouting systems are capable of standard bentonite grout mixes and most other remediation materials.

GP800 is designed to withstand the corrosiveness of oxidizers when injecting permanganates and peroxides as well as the high-injection volume requirements of these materials.

GP800

geoprobe.com/gp800

| Components | Part | MN | Notes |
|------------|-----------------------------------|--------|--------------------------------|
| | GP800 Injection Pump | 213991 | |
| | DP800 Suction Hose | 203471 | 6 ft. |
| | DP800 Injection Hose | 203472 | 15 ft., Stainless Steel Jacket |
| | DP800 Pressure Relief Hose | 203837 | 4 ft. |



GP350

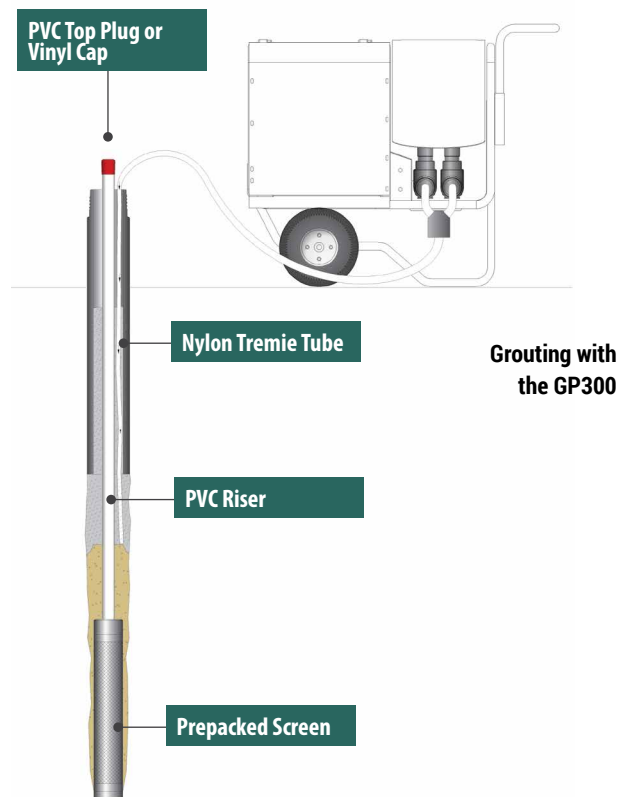
geoprobe.com/gp350

| Components | Part | MN | Notes |
|------------|---------------------------------------|--------|---------------|
| | GP350 Injection / Grout System | 213988 | |
| | Grout Hopper Strainer | 202853 | |
| | Power Cord / Hydraulic Hose | 210736 | 20 ft., GP350 |
| | Flow Combiner | 202926 | |

GP300

geoprobe.com/gp300

| Components | Part | MN | Notes |
|------------|---------------------------------------|--------|-------|
| | GP300 Injection / Grout System | 213987 | |
| | Grout Hopper Strainer | 202853 | |
| | Flow Combiner | 202926 | |



Tools and Accessories

| Components | Part | MN | Notes |
|------------|---|--------|---------------------------------------|
| | 2.25 in. Grout / Injection Pull Cap | 207845 | 3/4 in. Quick Connect Hose |
| | O-Ring | 105017 | Used in 207845 |
| | 2.25 in. Pressure Activated Injection Probe | 209375 | |
| | Pressure Activated Injection Probe Check Valve Kit | 203849 | |
| | O-Ring | 100402 | For Check Valve |
| | O-Ring | 102274 | For Injection Point |
| | O-Ring | 100397 | For Injection Point Shoe |
| | 2.25 in. Injection Probe Spring | 116171 | NEW |
| | 1.5 in. Grout / Injection Pull Cap | 202930 | 1/2 in. Quick Connect Hose |
| | 1.5 in. Pressure Activated Injection Probe | 203904 | 4 x 1/4 in. Ports |
| | 1.25 in. Grout / Injection Pull Cap | 202929 | 1/2 in. Quick Connect Hose |
| | 1.25 in. Pressure Activated Injection Probe | 203387 | 4 ports |
| | 1.5/1.25 Pressure Activated Injection Probe Replacement Spring | 102892 | 100 psi |
| | 1.5/1.25 Pressure Activated Injection Probe Replacement Spring | 104815 | 50 psi |
| | O-Ring (Grout / Injection Pull Cap / Hose) | 203208 | Quantity: 5 |
| | O-Ring (Grout / Injection Pull Cap / Hose VT) | 103152 | Quantity: 5 |
| | Grout Line Pressure Relief | 203870 | 3/4 in. Quick Connect |
| | Grout Line - 1000 PSI Gauge & Relief Valve | 214007 | 1/2 in. Quick Connect |
| | Grout Line - 1000 PSI Gauge & Relief Valve | 202362 | 3/4 in. Quick Connect |
| | Grout Line - 3000 PSI Gauge & Relief Valve | 202360 | 3/4 in. Quick Connect |
| | Injection Hose w/ Ball Valve 1.5 | 202976 | 3/4 in. Quick Connect |
| | Injection Hose w/ Ball Valve 1.25 | 202357 | 3/4 in. Quick Connect |
| | Grout Hose High Pressure | 214004 | 30 ft. x 3/8 w/ 1/2 in. Quick Connect |
| | Grout Hose High Pressure | 214003 | 20 ft. x 3/8 w/ 1/2 in. Quick Connect |
| | Grout Hose High Pressure | 214002 | 10 ft. x 3/8 w/ 1/2 in. Quick Connect |
| | Grout Hose High Pressure | 212640 | 12 ft. x 3/4 w/ 3/4 in. Quick Connect |
| | Grout Hose High Pressure | 203197 | 12 ft. x 1/2 w/ 3/4 in. Quick Connect |
| | Nylon Tubing | 600144 | 3/8 in. OD x 1/4 in. ID x 100 ft. |

Tools and Accessories

| Components | Part | MN | Notes |
|------------|----------------------------------|--------|--------------|
| | Grout Tubing Adapter | 214005 | 3/8 in. BARB |
| | Grout Tubing Clamp | 214006 | |
| | Grout Spatula | 107471 | 40 in. |
| | Grout Measuring Scoop | 107472 | 2 quart |
| | Bentonite 200 Mesh Powder | 600992 | 50 lb. Bag |
| | O-Ring | 103157 | Quantity: 25 |

Service Parts

| Components | Part | MN | Notes |
|------------|---|--------|--|
| | Grout Machine Outlet Ball Retainer | 202200 | |
| | T-Valve Section w/Steel Ball | 202863 | For use with GP300/350, 00/1000/2000/2200 |
| | Outlet Check Ball | 214380 | Modified 1.25 in. |
| | Spring Ext | 102642 | .359 OD x 1.25 LG x .045 |
| | T-Valve Section w/Nylon Ball | 202203 | For use with GP300/350, 00/1000/2000/2200. |
| | Inlet Ball Retainer | 200488 | GP300/350, GS500/ GS1000 |
| | T-Valve ASM w/Nylon Ball | 204961 | GS500/1000 |
| | Outlet Ball Retainer | 200718 | GS500/1000 |
| | T-Valve Rebuild Kit | 213997 | GS500/1000 |
| | Grout Cylinder Cup Replacement Kit | 213999 | GS500/1000 |
| | Piston Cup Rebuild Kit | 214000 | GS500/1000 |
| | Hydraulic Cylinder Seal Kit | 214001 | GS500/1000 |
| | Injection Cylinder | 202746 | GS2000/GS2200 |
| | Hydraulic Cylinder Seal Kit | 202942 | GS2000/GS2200 |
| | Piston Cup Rebuild Kit | 202943 | GP300/350, GS2000/2200 |
| | VITON Piston Cup Kit | 203216 | GP300/350, GS2000/2200 |
| | T-Valve Rebuild Kit | 202944 | GP300/350, GS2000/2200 |
| | VITON T-Valve Kit | 203215 | GP300/350, GS2000/2200 |
| | Diaphragm / Seal Repair Kit | 600293 | |