



Rig Comparison

7822DT vs. 3126GT



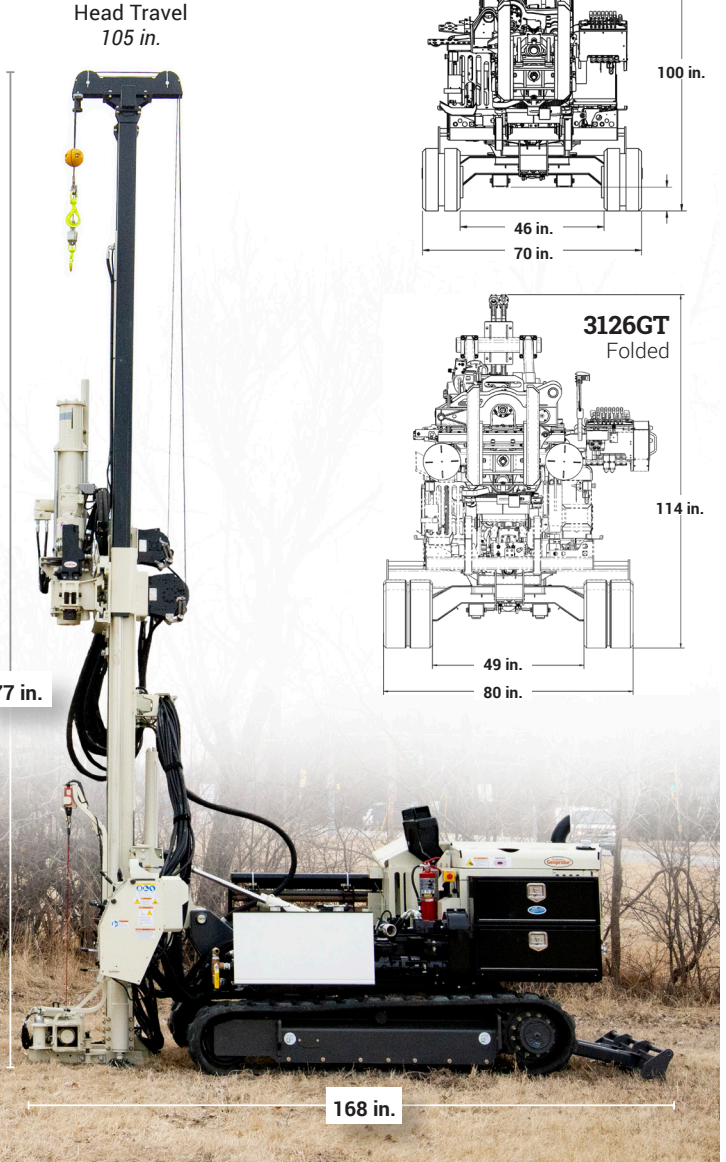
7822DT

3126GT



7822DT

Unfolded



7822DT
Folded

100 in.

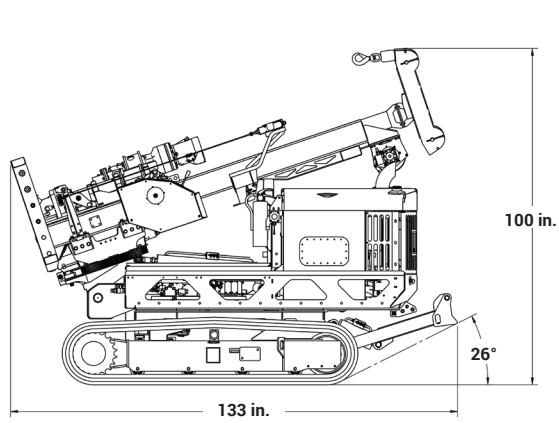
46 in.
70 in.

3126GT
Folded

114 in.

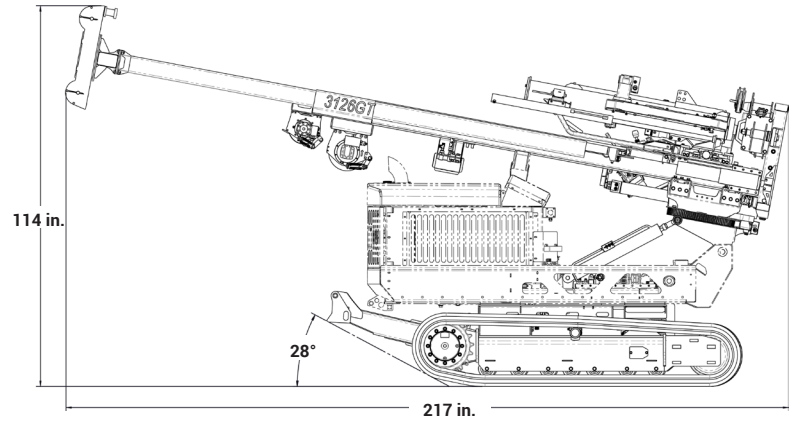
49 in.
80 in.

3126GT



7822DT

Folded, Side



3126GT



Rig Comparison

7822DT vs. 3126GT



7822DT

Head Assembly
*Automatic Drop Hammer (Swing Out),
Rotary Head, Percussion Hammer*



3126GT

Head Side Shift
*Automatic Drop Hammer, Rotary Head,
CPT Push Plate, Percussion Hammer*



7822DT

Control Panel



3126GT

Control Panel