

Geoprobe® 6011DT Drill Rig

Direct Push Rigs | 6011DT

**Low Clearance
Cylinder Option**
(not pictured)

▶ Features

- 4,800 lb direct push only platform
- 44 horsepower engine
- Uses 5-foot tooling
- Affordable price point
- Load-sense hydraulics reduce fuel consumption
- Suited for Direct Image® logging tools and CPT
- Tier 4/Stage V engine

Small Drill Rig with Big Direct Push Power

Drillers seeking a small footprint but big direct push drill rig power choose the 6011DT to efficiently track into tight spots or through tough terrain. The rig features a GH63 percussion hammer while still being sized to slip into small places.

GH63 Percussion Hammer

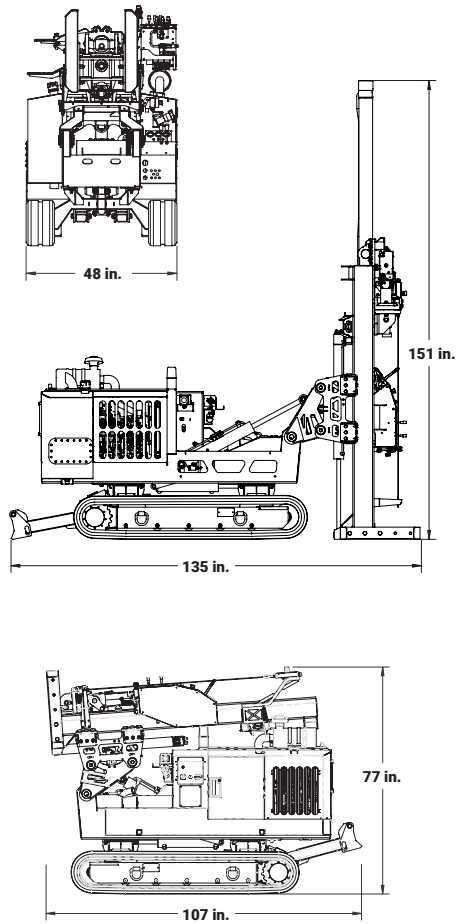
48-inch Wide Tracks

**Rear Blade
(Stabilization &
Tool Transport)**



WEIGHT & DIMENSIONS

Base Unit Weight: 4,800 lb. (2,177 kg.)

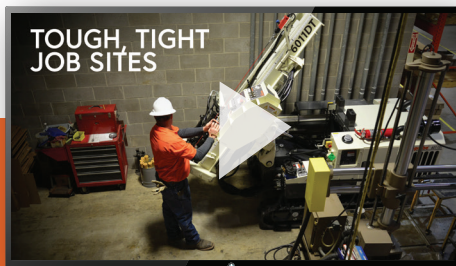


TOOLING

Typical Geoprobe® Tooling for the 6011DT

- 60-in. Direct Push Tooling
- Probe Rod Sizes: 3.75 in., 3.25 in., 2.25 in., 1.5 in., 1.25 in.*
- Macro Core® Soil Sampling (MC5, MC7)
- Dual Tube Soil Sampling (DT37, DT325, DT22)
- Groundwater Sampling (SP22, SP16)
- Prepacked Monitoring Well Installations (2.0 in., 1.5 in., 1.0 in., 0.75-in.)
- Direct Image® Tooling

* Center Rod Use Only
Rig shown with optional features. Weights & dimensions subject to change without notice.



OPTIONS

Rotary Head

- Two Speed Rotary Head (2,500 ft-lbs)

Rotational Safety Cage

- Rotation Guard

Hydraulic Extruder

- 5 ft. Hydraulic Extruder Kit

Pumps

- Moyno® 2L4 Pump Kit

Side Rod Rack / Tool Box

- Rod Rack
- Control Panel Side Storage

Drop Rack

- Drop Rack System with Rod Rack
- Yoke Vise & Mounting Bracket Kit, Horizontal

Additional Options

- Head Feed Down Control Kit



Videos, Photos, Specifications, Resources
geoprobe.com/6011dt